

1. Designed to prevent air bubble accumulation inside the suction filter with case.
2. Stainless steel wire elements of 60, 100, 150 and 200 mesh are provided as standard.
3. Clogging of filter element can be checked by an indicator.
4. Built-in relief valve prevents risk due to clogging.
5. I type (visual observation) indicator is installed as standard. E type (electric contact together with visual observation) indicator and magnet can be installed as additional option.
Note: Magnet cannot be installed on site after purchase of filter.
6. Dust cover of I type and E type indicators are made of plastic. Exercise caution when handling solvents (e.g. thinner).
7. Indicator is horizontal and can be viewed from any direction.
8. Indicating differential pressures:
Green (Start of red): 0.012 MPa
Red (All red): 0.02 MPa
9. I type indicator is reset manually. E type indicator is reset automatically.
10. Please contact us for use of fluid other than mineral oil on packing, O-rings and other parts.
11. Thread type companion flange is available in additional option.

Part List

Part No.	Part Name	Material	Qty	Remarks
21	O-ring	NBR	1	JISB 2401. 1A
20	Indicator		1	
19	Packing	NBR	1	
18	O-ring	NBR	1	JISB 2401. 1A
17	O-ring	NBR	1	JISB 2401. 1A
16	O-ring	NBR	1	JISB 2401. 1A
15	O-ring	NBR	2	JISB 2401. 1A
14	Cap bolt	SCM	4	
13	Drain plug	SCM	1	
12	Bolt	SS	8	
11	Companion flange	SS400	2	
10	Spring	SWPA	1	
9	Spring	SWPA	1	
8	Stop ring	SK	1	
7	Guide rod	C3604	1	
6	Wave washer	SK	1	
5	Element		1	
4	Inner tube	SGP	1	
3	Valve	CAC406	1	
2	Upper cover	ADC12	1	
1	Body	AC2B	1	
Part No.	Part Name	Material	Qty	Remarks

Dimensions and Standard Flow Rates

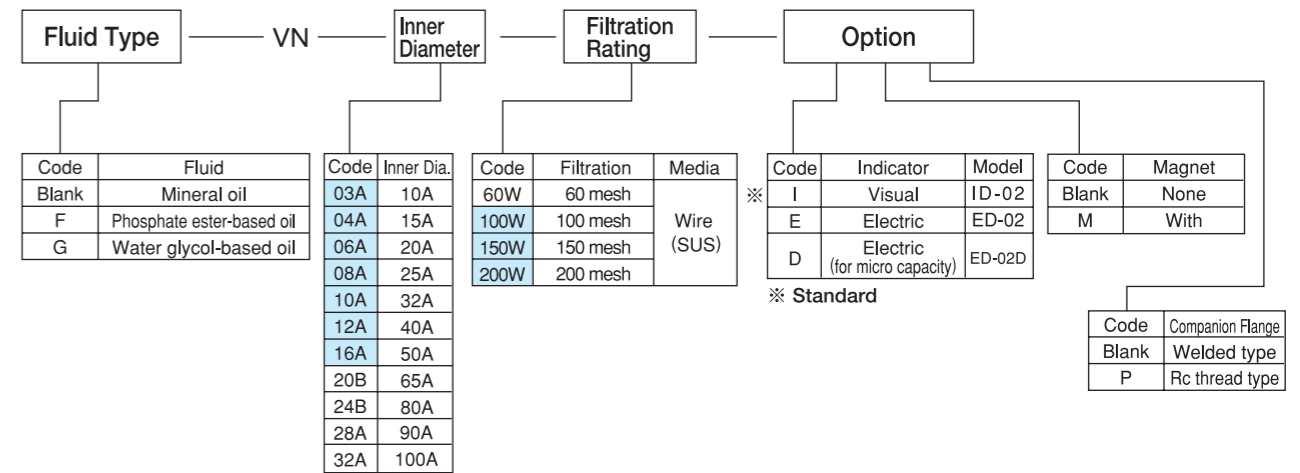
Symbol Model	Inner Dia.	H	H1	H2	L	D	Companion Flange					Bolt d3	E	Element		Mass (kg)	Standard Flow Rate (l/min)
							d	F	P	T	t			d2	h		
VN-03A	10A						18										18.5
VN-04A	15A	203	87	116	72	90	22	60	56	12	8	9	M8	240	90	65	35.5
VN-06A	20A						27.5										67.5
VN-08A	25A	227	94	133	80	112	34.5	68	70	12	8	9	M8	266	110	85	107
VN-10A	32A						43										200
VN-12A	40A	285	100	185	95	138	49	82	86	14	9	11	M10	331	160	100	250
VN-16A	50A	321	107	214	110	156	61.1	96	102	14	9	14	M12	368	180	120	395
VN-20B	65A						77										640
VN-24B	80A	348	133	215	105	180	90	122	130	20	14	14	M12	419	200	140	795
VN-28A	90A						102.5										1070
VN-32A	100A	442	202	240	135	230	115.5	156	166	22	15	18	M16	562	260	180	1310

O-ring and Packing

Part No.	15	16	17	18	19	21
Model						
VN-03A	G30	P11	G65	G35	t2×φ65/40	
VN-04A						
VN-06A	G45		G90	G50	t2×φ85/55	
VN-08A						
VN-10A	G55		G100	G65	t2×φ100/70	P18
VN-12A						
VN-16A	G70		G125	G80	t2×φ120/85	
VN-20B						
VN-24B	G95	P14	G145	G100	t2×φ140/105	
VN-28A						
VN-32A	G125		G180	G140	t2×φ180/145	

Quick delivery of filters in with mineral oil use. Please contact us on delivery time for others.

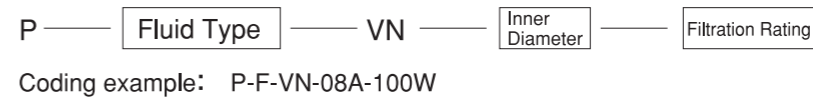
Model Code



Coding Example F-VN-08A-100W-E

Spares

Element



Sealing parts set

● For element replacement (Part No. with ⊙ in “O-ring and packing”.)



● For overhaul



Flow Rate Chart

- ISO VG32V
- Viscosity: 32 cSt (40°C)

Filtration Rating 150 Mesh (150W)

