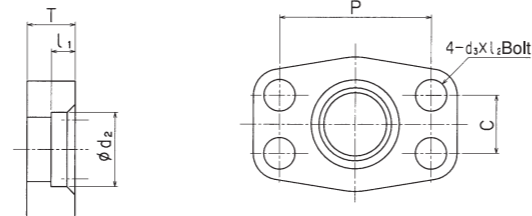




1. Maximum operating pressure: 3.5 MPa
Impulse test: 0 to 3.5 MPa x 10⁷ times
2. Model 351: Thread connection
Model 352: Companion flange connection
3. T connection and element removal is downward.
4. Please contact us for use of fluids other than mineral oil on packing, O-rings and other parts.

Max. differential pressure of element	Option	
	Indicator pressure (All red)	Relief valve opening pressure
0.7MPa	0.3MPa	0.35MPa

Companion Flange and Piping Connection



Companion flange

Companion flange seat for Model 352

P	C	d ₃ × L ₂
46	18	M8×30
58	22	M10×35
70	36	M10×35
84	44	M12×50
112	65	M16×60

(Note: Model 352 only. ID "03" to "08" have O-ring groove on the body.)

Part List

Part No.	Part Name	Material	Qty	Remarks
15	Companion flange	SS400	2	For Model 352
14	Indicator		1	Option
13	Nameplate		1	
12	O-ring	NBR	1	JISB 2401. 1A
11	O-ring	NBR	1	JISB 2401. 1B
10	O-ring	NBR	1	JISB 2401. 1A
9	O-ring	NBR	1	JISB 2401. 1A
8	O-ring	NBR	1	JISB 2401. 1A
6	Relief valve		1	Option
5	Drain plug	SCM435	1	
4	Spring	SWPA	1	
3	Element		1	
2	Lower cover	STKM13A-SS400	1	03~04 A6061
1	Body	FC250	1	03~08 ADC12

O-ring

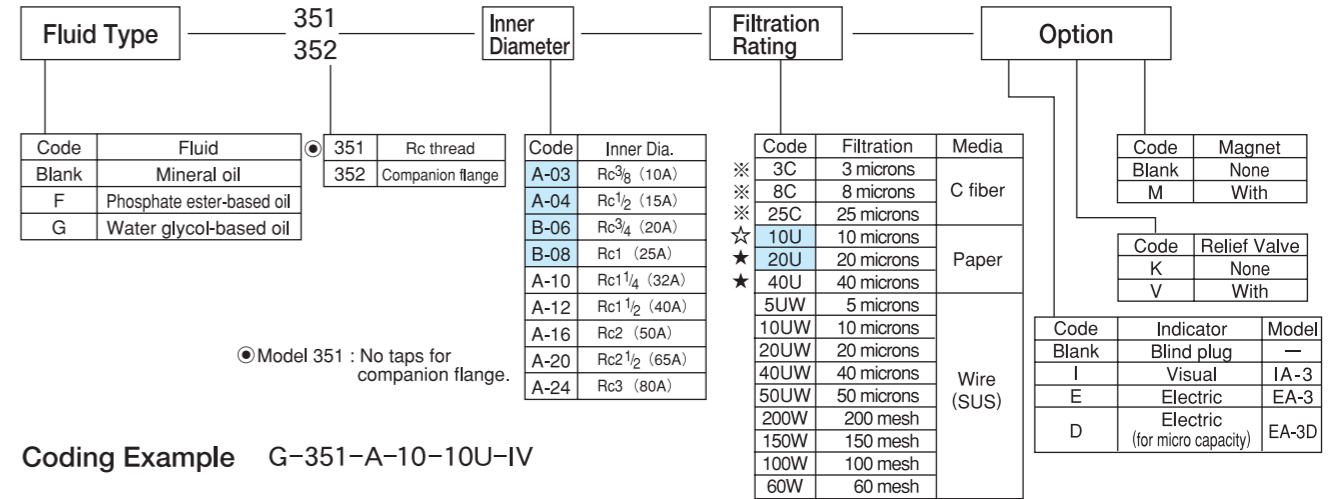
Part No.	8	9	10	11	12	Companion Flange (Model 352)
03,04	AS568-234	G-25	P-11	P-18	P-14	G-30
06,08	G-90	P-36	P-14	P-18	P-14	G-40
10,12	AS568-245	G-50	P-14	P-18	P-14	G-55
16	AS568-250	G-60	P-14	P-18	P-14	G-70
20,24	AS568-259	G-90	P-18	P-18	P-14	G-100

Dimensions and Standard Flow Rates

Symbol Model	d	A	B	D	F	G	4-d ₁ × ℓ	L	L ₁	Element Allowance E	d ₂	ℓ ₁	T	Element		Mass (kg) 351 ASS'Y 352 ASS'Y	Standard Flow Rate (ℓ/min)		
														d ₃	h				
351-A-03	Rc3/8	90	90	79	10	9	M8×12	136	23	100	17.8	7	15	64	84.2	1	1.5	25	
351-A-04	Rc1/2									100	22.2								44
351-B-06	Rc3/4	112	112	92.4	12	15	M10×15	207	28	100	27.7	9	18	76	140	2.9	3.8	85	
351-B-08	Rc1									100	34.5								100
351-A-10	Rc1 1/4	130	130	110	15	17	M10×13	286	38	100	43.2	9	18	92	204.2	6.9	8.3	155	
351-A-12	Rc1 1/2									100	49.1								180
351-A-16	Rc2	150	150	124.6	20	22	M12×16	349	45	150	61.1	11	24	105	254.2	11	13	360	
351-A-20	Rc2 1/2									150	77.1								600
351-A-24	Rc3	200	200	165.2	35	35	M16×21	427	63	150	90.0	15	35	133	304.5	27	33	660	

Quick delivery of filters in with mineral oil use. Please contact us on delivery time for others.

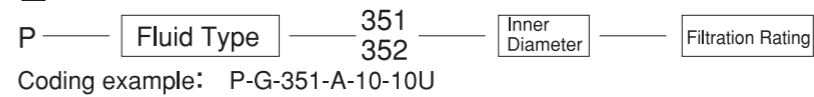
Model Code



Coding Example G-351-A-10-10U-IV

Spares

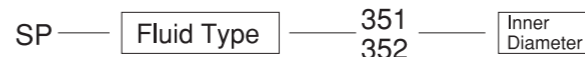
Element



Coding example: P-G-351-A-10-10U

Sealing parts set

● For element replacement (Part No. with © in "O-ring".)



Coding example: SP-G-351-A-10

● For overhaul



Coding example: SA-G-351-A-10

Flow Rate Chart

- ISO VG32
- Viscosity: 32 cSt (40°C)

