

BREATHERS & FILLER BREATHERS

SERIES AB

WITH POLYESTER, PAPER OR WIRE MESH ELEMENT

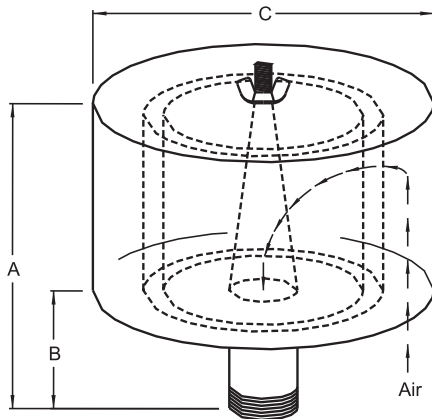
Air Breathers stop airborne dirt from entering the reservoir as the oil is removed. They allow the reservoir to breathe with clean, filtered air as the oil level changes.

Standard Features:

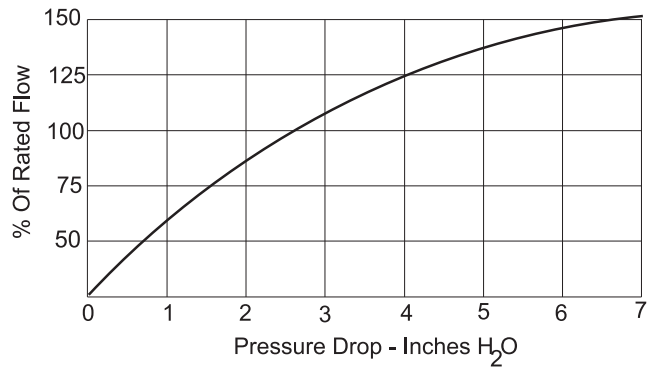
- Fully drawn weatherhood -- no welds to rust or vibrate apart
- Low entry velocity air gap between base and cover
- Heavy gauge base with low pressure drop outlet pipe and center bracket design
- Interchangeable elements
- Center bracket located for minimal flow restriction

Standard Materials:

- Durable carbon steel construction with powder coat finish



Normal Flow Curve



AB Series

Polyester Element	Part No. Paper Element	Wire Mesh Element	Effective Surface Area of Element in Square Feet		Application CFM		NPT Connection (inch)	Dimensions (inches)		
			Polyester	Paper	Pulsating Flow	Continuous Flow		A	B	C
AB-E19P-125	AB-E18P-125	AB-E18S-125	1.5	3.0	60	80	1 1/4	6.50	1.50	6.00
AB-E19P-150	AB-E18P-150	AB-E18S-150	1.5	3.0	60	80	1 1/2	6.50	1.50	6.00
AB-E31P-200	AB-E30P-200	AB-E30S-200	2.3	5.7	60	135	2	7.25	2.25	7.75
AB-E31P-250	AB-E30P-250	AB-E30S-250	2.3	5.7	80	195	2 1/2	7.50	2.50	7.75
AB-E231P-300	AB-E230P-300	AB-E230S-300	4.5	10.9	300	300	3	13.00	3.00	10.00

Dimensions and specifications are subject to change without notice. Not all items are Made-To-Stock, contact us for availability.

02/14

Ph : 920-682-6877
Fx : 920-684-7210



sales@ldi-industries.com
www.ldi-industries.com

BREATHERS & FILLER BREATHERS

SERIES AB REPLACEMENT ELEMENTS

Air Breathers stop airborne dirt from entering the reservoir as the oil is removed. They allow the reservoir to breathe with clean, filtered air as the oil level changes.

Standard Features - Polyester Elements:

- Pleated industrial needle felt polyester media
- Reinforced with epoxy coated steel wire on both sides of the media
- Washable with warm water and mild detergent
- Dust loading capacity is increased 40-50% with prefilter "P" designation at end of element part number
- 5 micron, 99% efficiency

Standard Features - Wire Mesh:

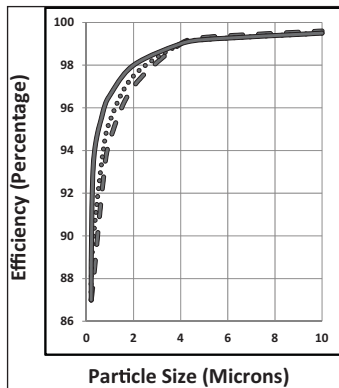
- Handles hot air and oil mist from unload cycle of reciprocating/piston compressor
- More durable than paper media
- Moisture resistant
- Epoxy coated wire mesh pleated media

Standard Features - Paper Elements:

- Heavy duty industrial strength paper surrounded by heavy gauge galvanized expanded metal
- Lightly blow out media to clean
- Dust loading capacity is increased 40-50% with prefilter "P" designation at end of element part number
- 2 micron, 99% efficiency

Temperature Rating:

- Temperature range -26° F to 220° F (-15° C to 104°C)

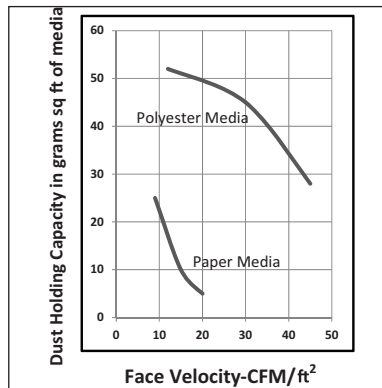


Polyester Media Efficiency Chart

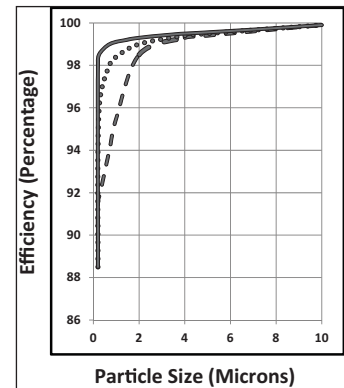
Particle Size vs. Filter Efficiency
Polyester Media at Indicated Face Velocity:

- 15 CFM/ft² media —————
- 30 CFM/ft² media (dotted)
- 45 CFM/ft² media - - - - - (dashed)

NOTE: Efficiency charts are based on SAE Fine Dust Tests



Face Velocity-CFM/ft² Dust Holding Capacity



Paper Media Efficiency Chart

Particle Size vs. Filter Efficiency
Paper Media at Indicated Face Velocity:

- 10 CFM/ft² media —————
- 15 CFM/ft² media (dotted)
- 20 CFM/ft² media - - - - - (dashed)



AB Series Replacement Elements

Polyester Element	Part No. Paper Element	Wire Mesh Element	Flow CFM	Effective Surface Area of Element in Square Feet		Dimensions (inches)		
				Polyester	Paper	ID	OD	HT
E19P	E18P	E18S	100	1.5	3.0	3.00	4.75	4.75
E31P	E30P	E30S	195	2.3	5.7	3.38	5.75	4.75
E231P	E230P	E230S	300	4.5	10.9	3.75	5.75	9.50

Dimensions and specifications are subject to change without notice. Not all items are Made-To-Stock, contact us for availability.

09/15

Ph : 920-682-6877
Fx : 920-684-7210



sales@ldi-industries.com
www.ldi-industries.com